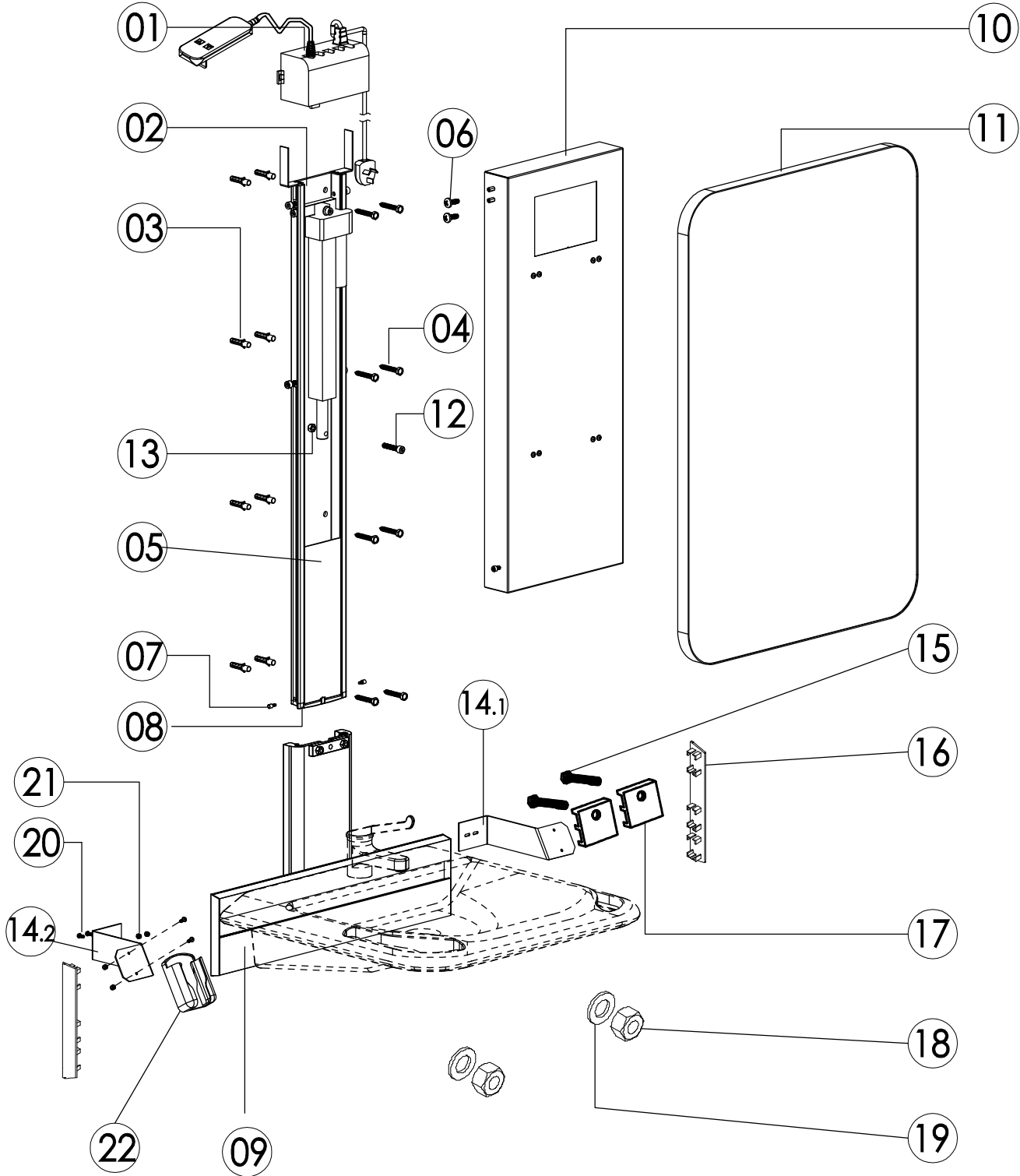
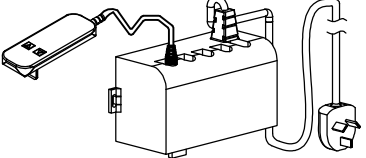
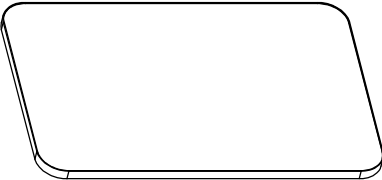
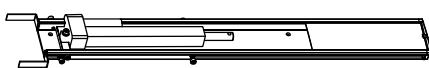




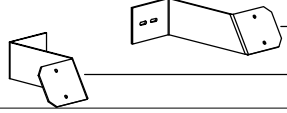




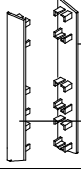
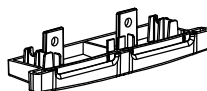
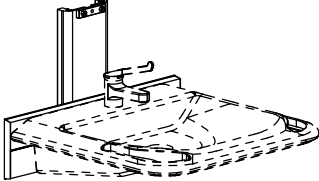

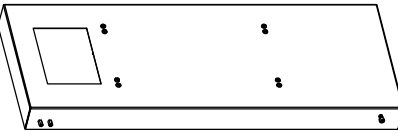







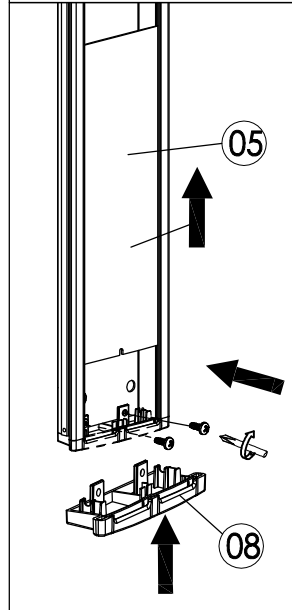
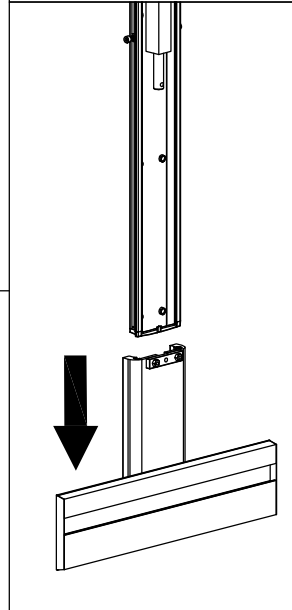
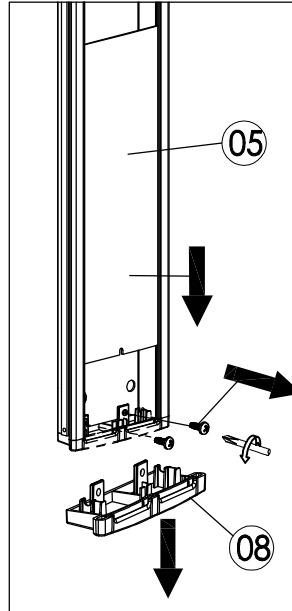
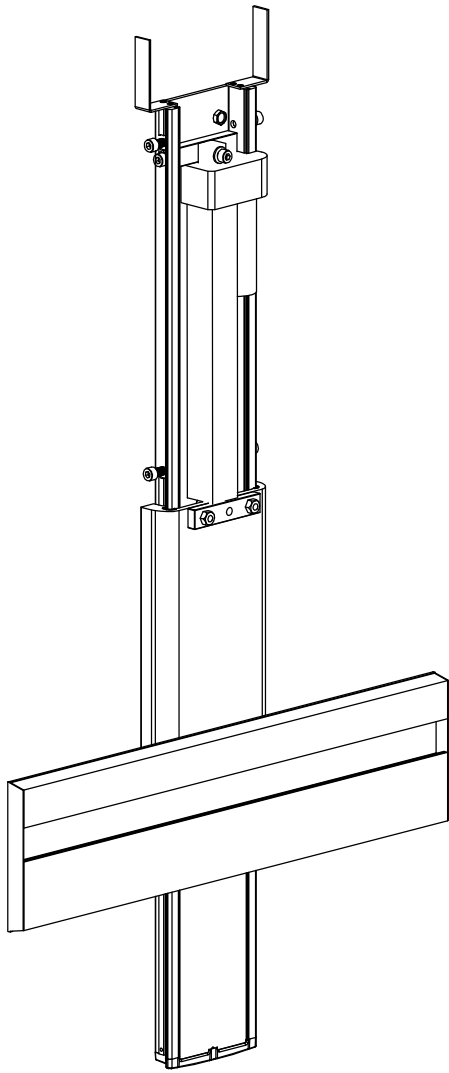
Product specification

Item No	XGB-B100T
Height Adjustment	195MM
Waterproof Rating	IP66
Weight Loading	200kgs (Limited to the electric motor rod)

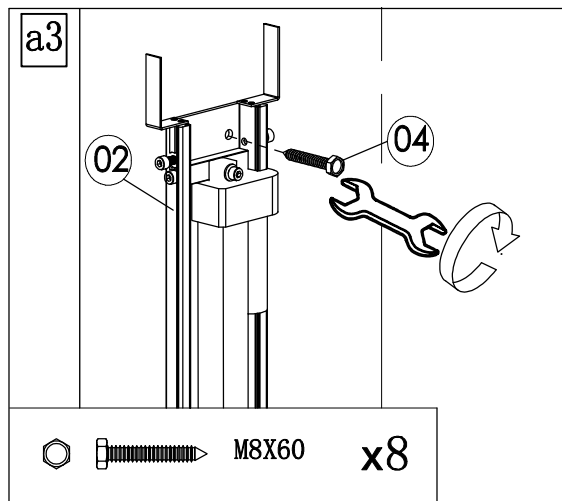
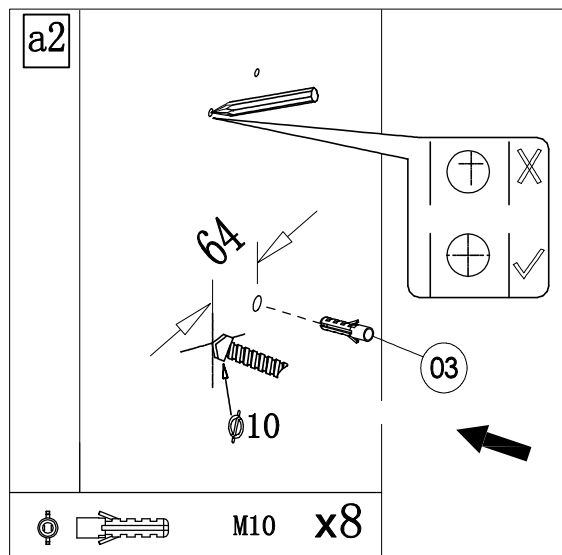
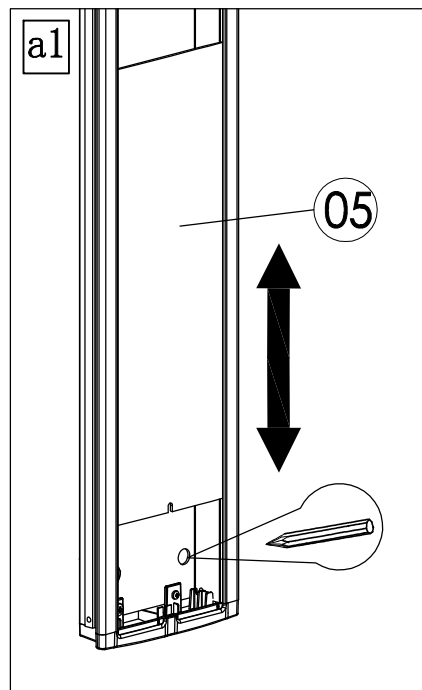
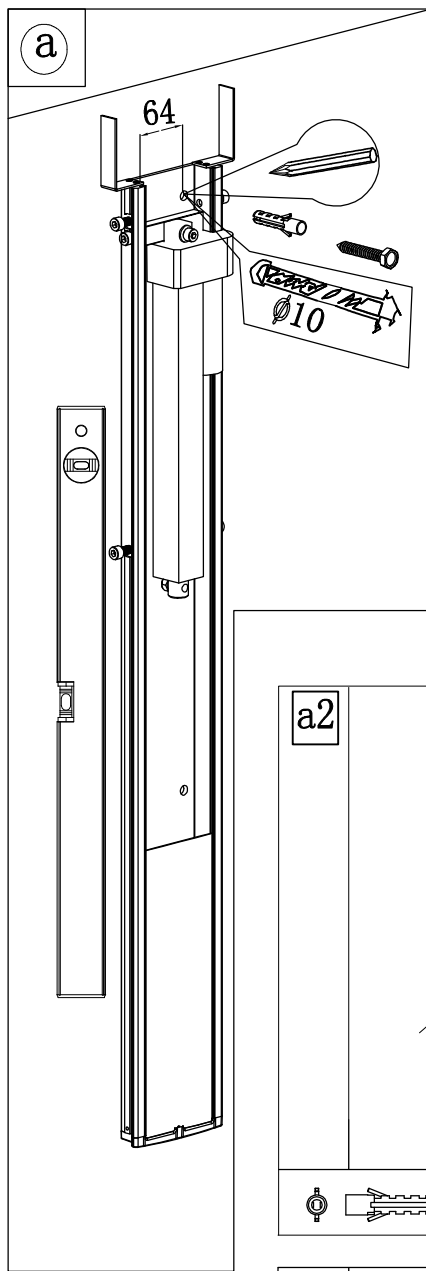
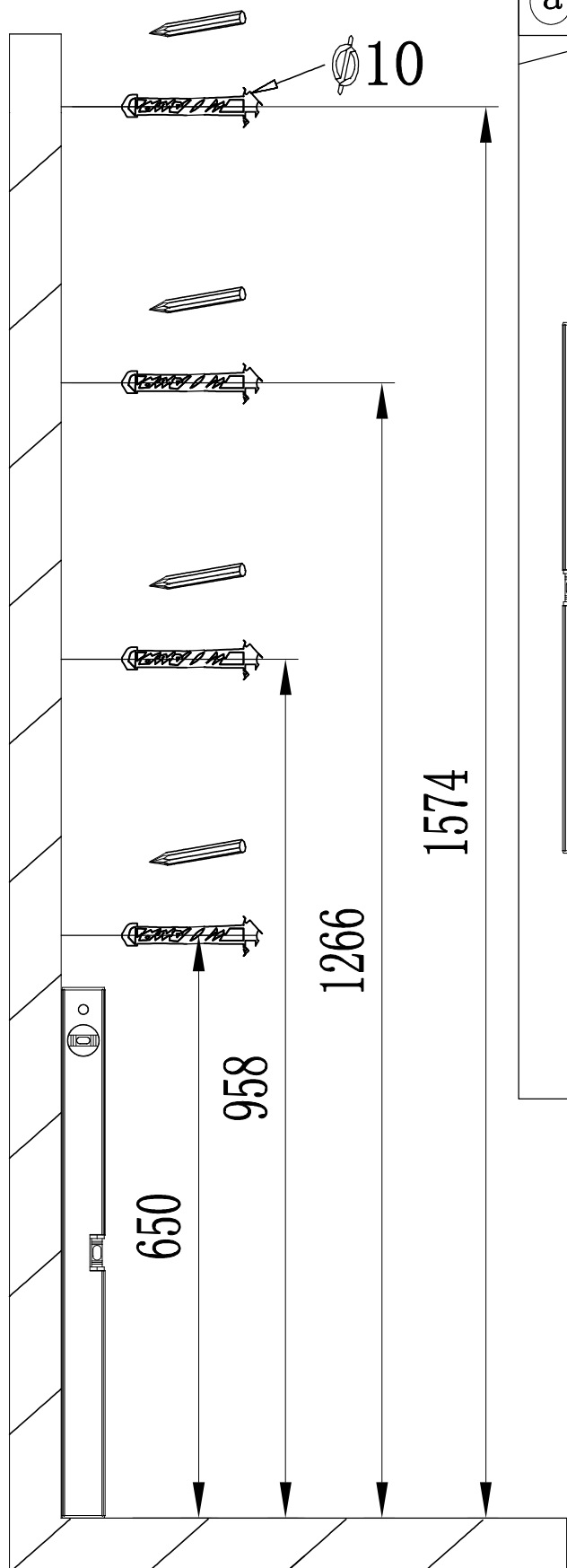
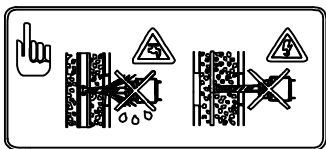


NO.	Designation	Pieces	NO.	Designation	Pieces
01		x1	11		x1
02		x1	12	 M8X40	x1
03	 M10	x8	13	 M8	x1
04	 M8X60	x8	14.1		x1
05		x1	14.2		x1
06	 M4X8	x4	15	 M8X50	x2
07	 M4X16	x2	16		x1
08		x1			x1
09		x1	17		x2
10		x1	18	 M8	x2
			19		x2
			20	 M4X10	x4
			21	 M4	x4
			22		x1

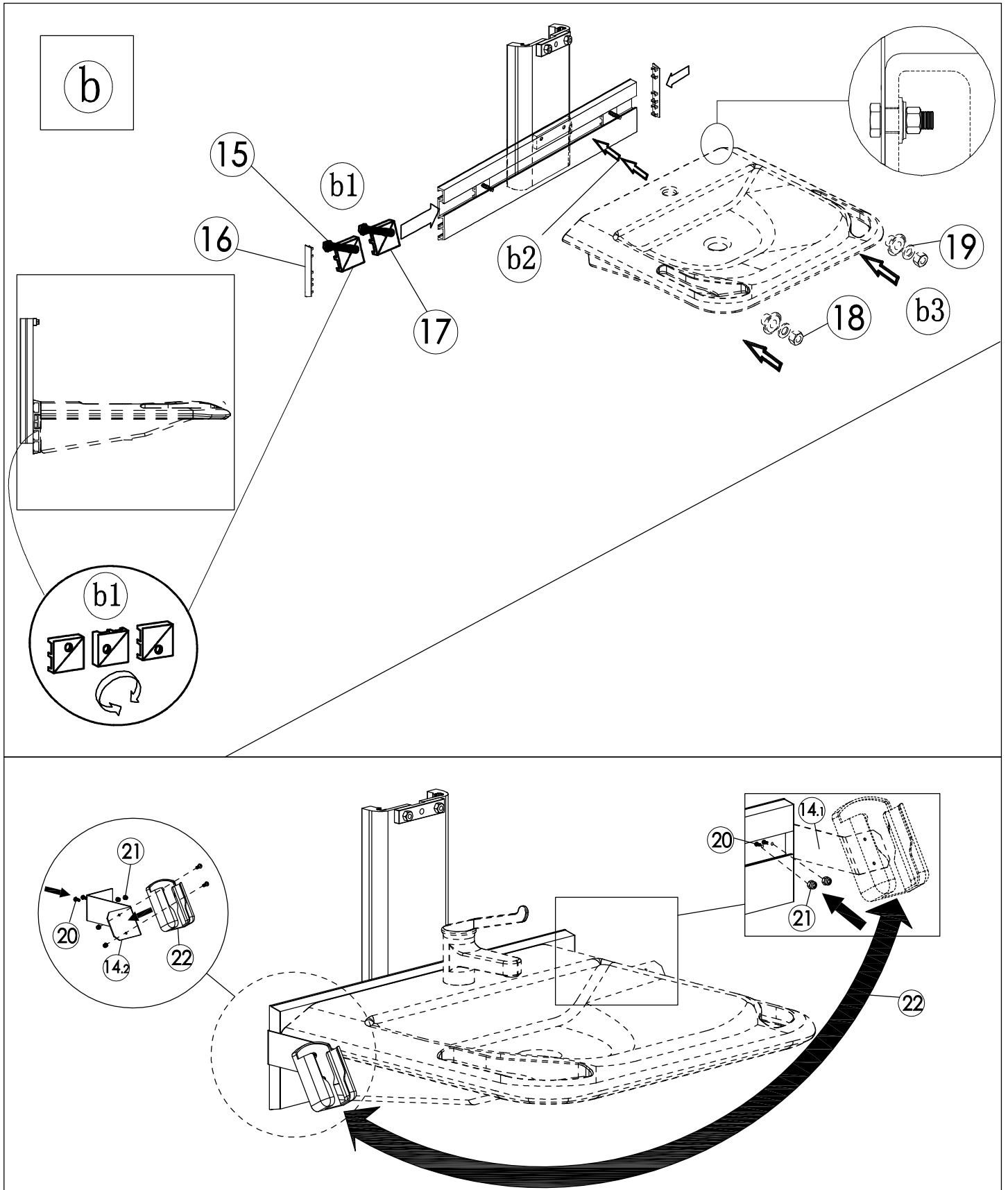
1.



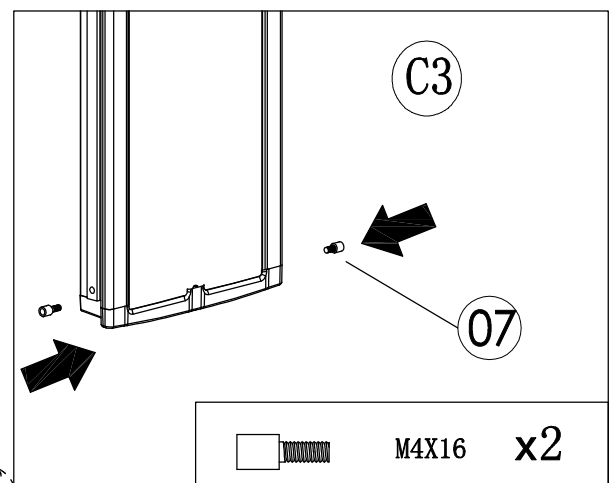
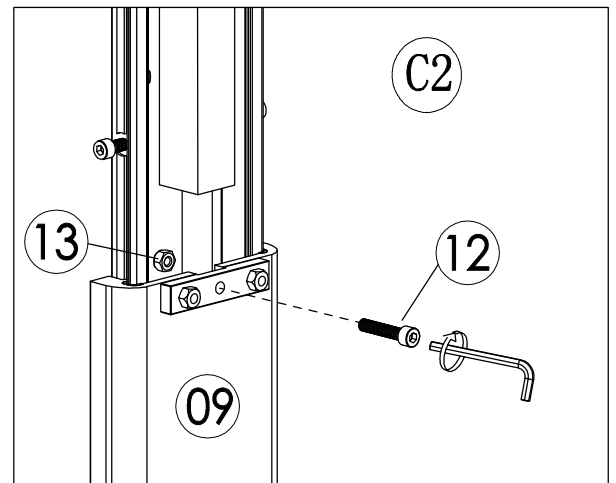
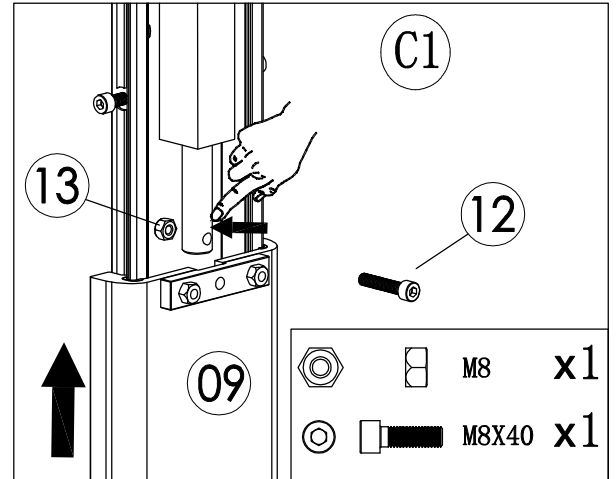
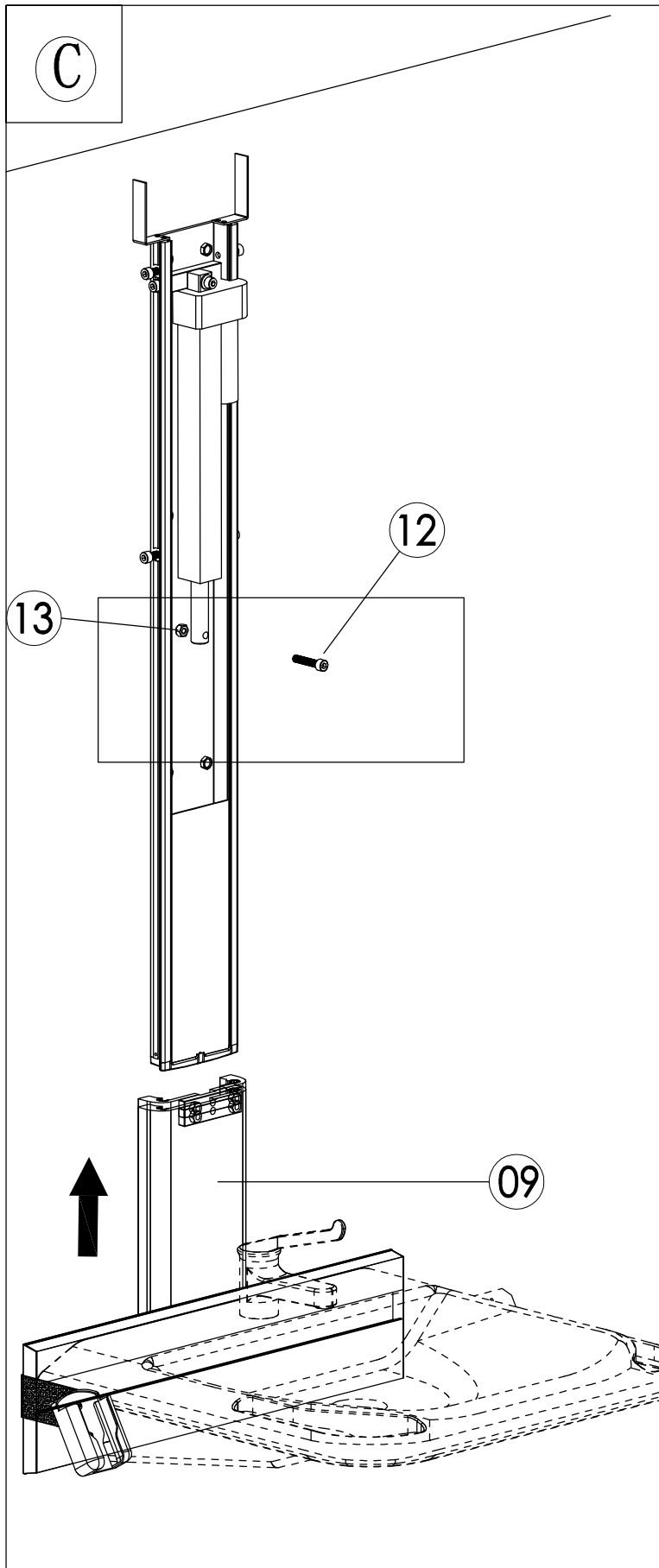
2.



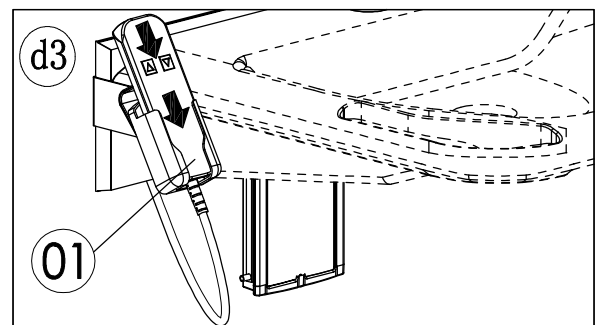
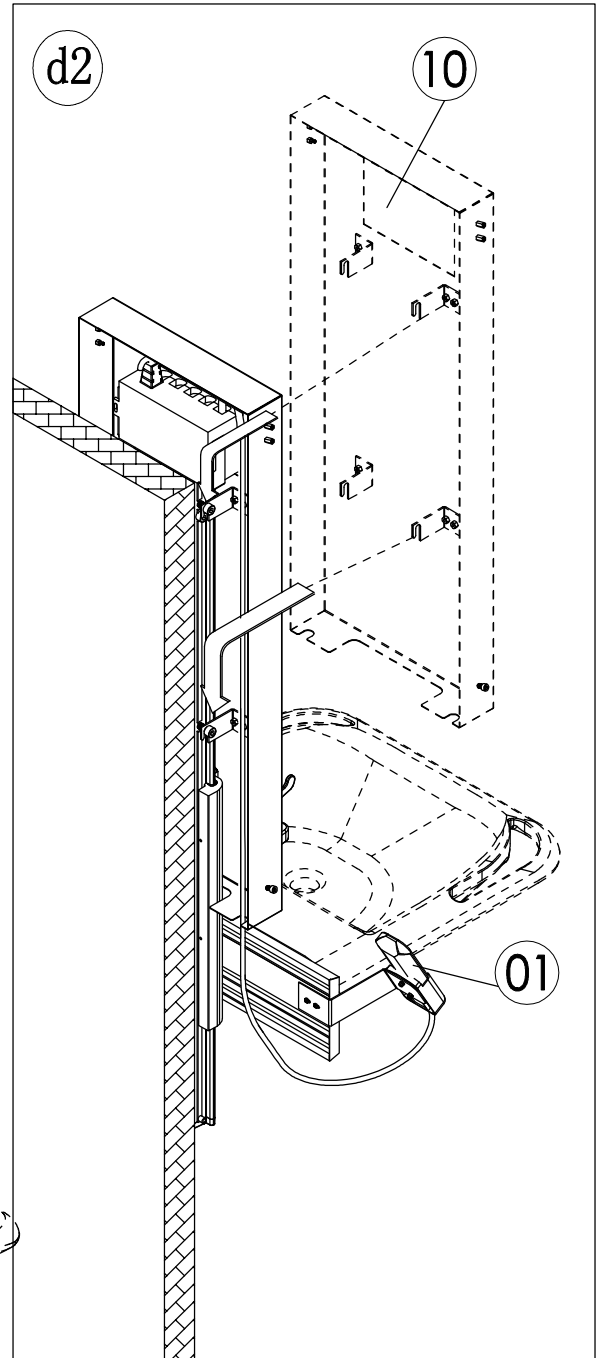
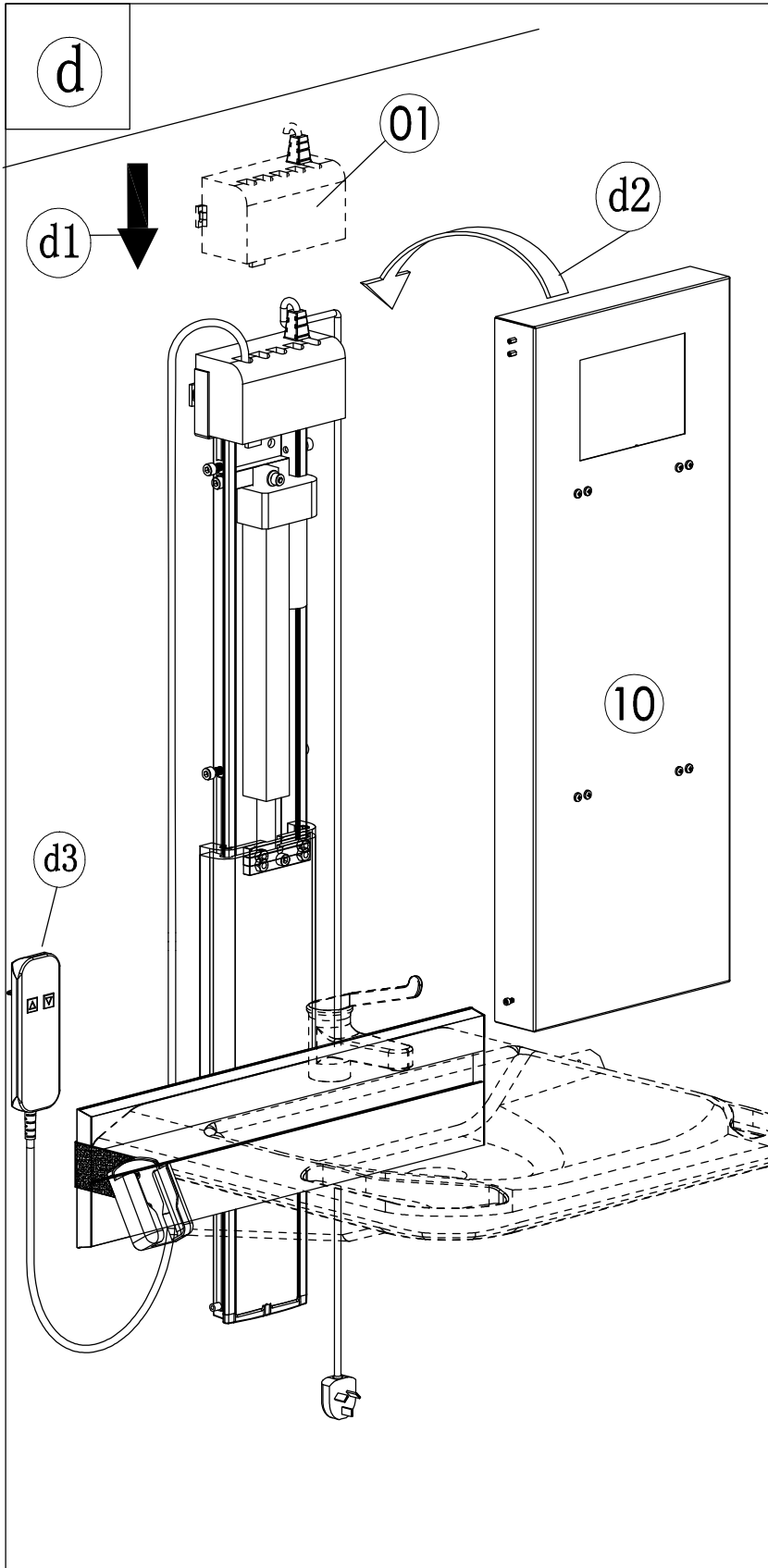
3.



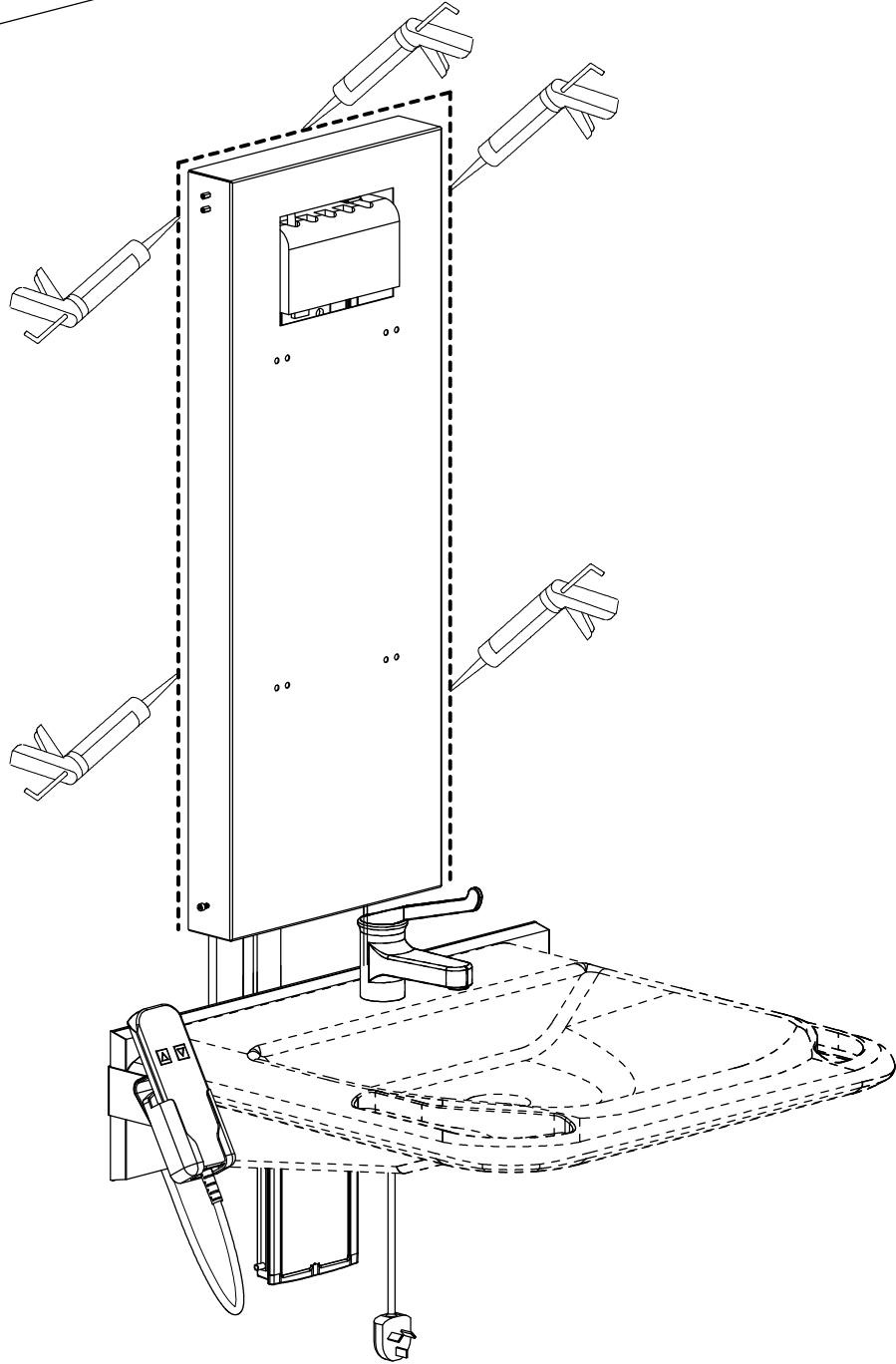
4.



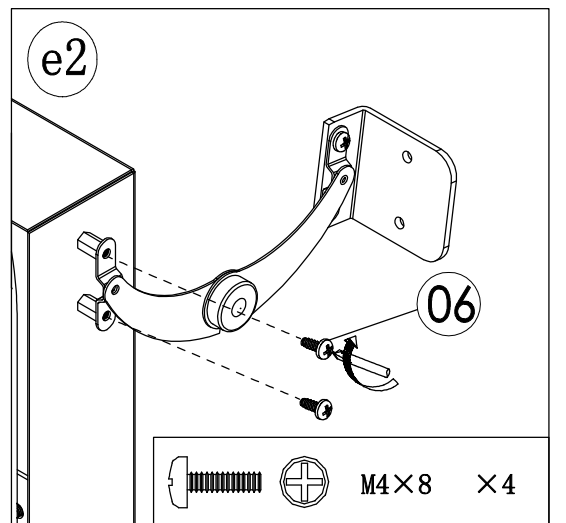
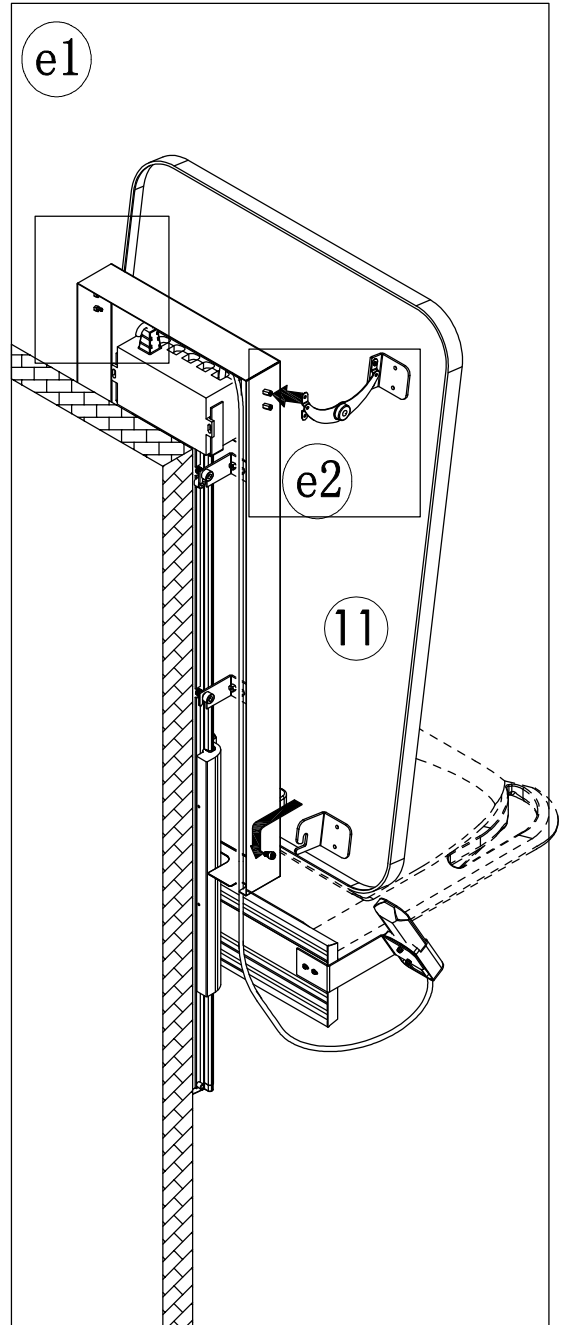
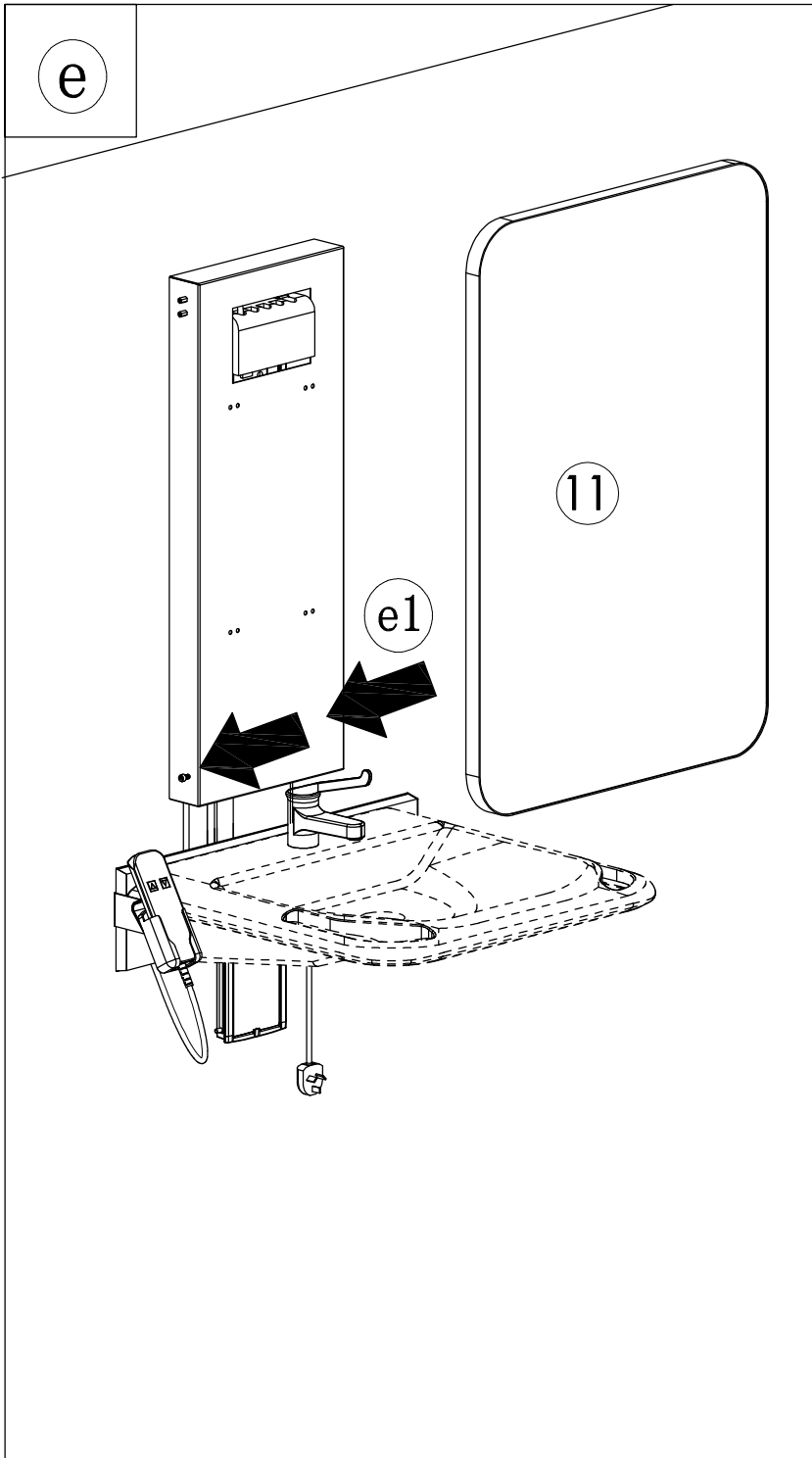
5.



6.



7.



24h 