

Aicube -- Care with Love



Guangzhou SELAQUA Sanitary Ware Co., Ltd
Jintian Industrial Park, Huadong Town, Huadu
District, Guangzhou City, Guangdong Province, China.
www.selaqua.com; www.aicubecare.com

Contact: Katie Peng
Sales Manager
M: +86 18620266308
E: katie@aicubecare.com

PRODUCT DETAILS

| | |
|------------|---|
| Type | Adjustable Basin holder & Ceramic Basin (taps and drain pipes are not included) |
| Item Code | XGB-B100T Holder+B001 Basin |
| Categories | Bathroom Accessories |
| Materials | 1. Metal part constructed with super solid aluminum. 2. Basin holder in solid aluminum alloy 3. The fixing kits and fasteners are made of stainless steel. 4. Ceramic Basin (Any basin fit the holder bracket) |
| Finish | Bright Chrome |

Technical Details and Descriptions:

Wall mounted basin holder, Electric Height adjustable.
Certified Weight loading 150kgs for basin holder bracket.
Distance adjustable kits on the bracket, any basin fit the holder bracket. Tilted Mirror with adjustable angle, 200mm stroke length of the height. Easy for wheelchair and easy for maintenance.

Standard and Warranty

| | |
|----------|--|
| Standard | ISO17966:2016 |
| Warranty | We make a commitment to remedy material and manufacturing defects for a period of 3 years from the invoicing date, provided that maintenance is carried out correctly. |

Cleaning and Care Guide

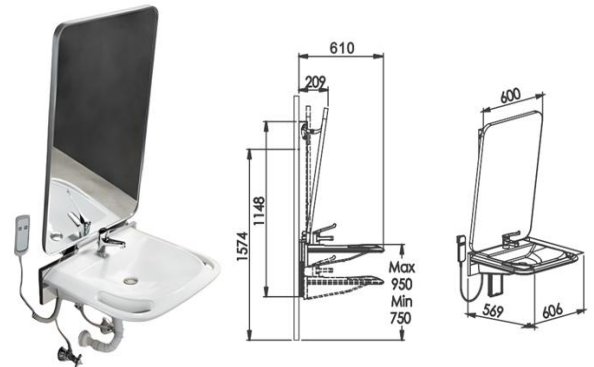
- The product is to be cleaned with hot water or a mild soapy cleaning agent.
- We recommend that chalky deposits be removed from aluminum parts using a solution of 3:7 acetic acid: tap water. When the aluminum parts have been washed down with this solution, the parts must be wiped over with a damp cloth, wrung out in clear water. The product must be wiped down with a soft rag wrung out in clear water immediately after cleaning, as some materials may otherwise be discolored and stained, and the surface coating may deteriorate.

Warm Note: Do not use chlorine based, corrosive or abrasive cleaners as it may result in the surface being damaged.

IMAGE



TECHNICAL DRAWINGS



XGB-B100T Electric adjustable basin holder
电动调节洗漱盆架 (The basin is separate)
Tilted mirror, adjust the angle by pulling or pushing.

Built-in electrical limit switch
Stroke length: 200mm Speed: 9mm/s
Load in push: 2000N Load in pull: 2000N
IP grade: IPX4 Noise level: ≤48dB
Input: 100-220V~50/60Hz, Max. 200W Output: 24V/5A

Standard: IEC60601-1:2012
EN60601-1:2006+A12:2014
ANSI/AAMIES60601-1:2005/(R)2012&A1:2012,
C1:2009/(R)2012 & A2:2010(R)2012

Full set with 3 carton box:

- column + basin holder in one box: 122x67x10cm 15.5kgs
- Mirror in one box, 95x65x8.5cm. 6.05kgs;
- Basin in one box, 63x58x17cm, 17.3kgs