

Aicube --Care with Love



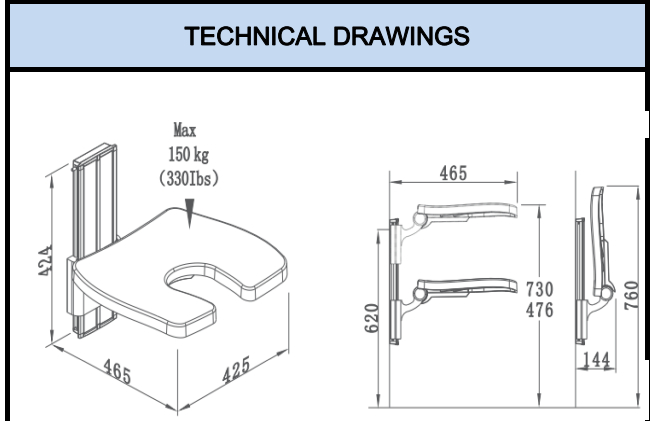
Price: USD 110 per unit

PRODUCT DETAILS	
Type	SHOWER SEAT
Item Code	XSA-B420
Range	Shower seat
Materials	1. Metal part constructed with super solid aluminum . 2. Seat part is super quality UF plastic. 3. The fixing kits and fasteners are made of stainless steel.
Finish	Bright Chrome Height Adjustable and Hinge/Seat White
Technical Details and Descriptions:	
Wall mounted shower seat foldable, Height adjustable. Certified Weight loading 150kgs for seat and each arm 40kgs weight loading. Maximum user mass (seat): 225 kg.	
Standard and Warranty	
Standard	ISO17966
Warranty	Expected service life of the shower seat is 10 years, provided that maintenance is carried out correctly. We makes a commitment to remedy material and manufacturing defects for a period of 3 years from the invoicing date.

Cleanning and Care Guide	
1. The product is to be cleaned with hot water or a mild soapy cleaning agent.	
2. We recommend that chalky deposits be removed from aluminum parts using a solution of 3:7 acetic acid: tap water. When the aluminum parts have been washed down with this solution, the parts must be wiped over with a damp cloth, wrung out in clear water. The product must be wiped down with a soft rag wrung out in clear water immediately after cleaning, as some materials may otherwise be discolored and stained, and the surface coating may deteriorate.	
Warm Note: Do not use chlorine based, corrosive or abrasive cleaners as it may result in the surface being damaged.	

Guangzhou SELAQUA Sanitary Ware Co., Ltd
Jintian Industrial Park, Huadong Town, Huadu District, Guangzhou City, Guangdong Province, China.
www.selaqua.com; www.aicubecare.com

Contact: Katie Peng
Sales Manager
M: +86 18620266308
E: katie@aicubecare.com



Shower Seat
Wall Mounted Flip-Up, Height adjustable
Solid Metal Wall Fixing
INCL. Stainless Steel Screws and Universal Wall Plugs
Ergonomical Seat made of super high quality UF material
Wide-425mm, Depth-465mm (refer to above drawings)
Weight loading 150kgs certified.
Carton Size: 58x47x17cm. G.W.: 7.31kgs

