

Aicube --Care with Love



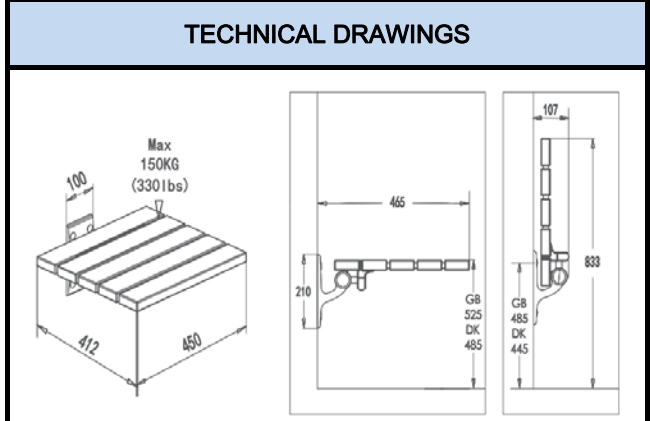
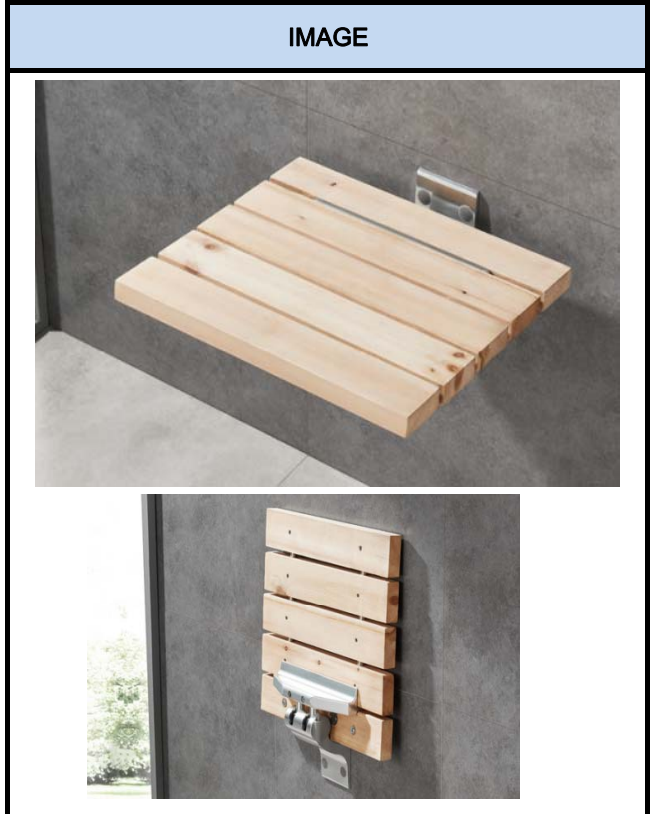
Price: USD110 /unit

PRODUCT DETAILS	
Type	SHOWER SEAT
Item Code	SA-A450
Range	Shower seat
Materials	1. Metal part constructed with super solid aluminum . 2. Seat part is super quality sylvestris pine plus nano-coated 3. Anti-slip surface of wood top 4. The fixing kits and fasteners are made of stainless steel.
Finish	Bright Chrome Wall Fixing , Natural wood top
Technical Details and Descriptions:	
Wall mounted shower seat foldable. Certified Weight loading 150kgs. Maximum user mass (seat): 225 kg.	
Standard and Warranty	
Standard	ISO17966
Warranty	Expected service life of the shower seat is 10 years, provided that maintenance is carried out correctly. We makes a commitment to remedy material and manufacturing defects for a period of 3 years from the invoicing date.

Cleanning and Care Guide	
<p>1. The product is to be cleaned with hot water or a mild soapy cleaning agent.</p> <p>2. We recommend that chalky deposits be removed from aluminum parts using a solution of 3:7 acetic acid: tap water. When the aluminum parts have been washed down with this solution, the parts must be wiped over with a damp cloth, wrung out in clear water. The product must be wiped down with a soft rag wrung out in clear water immediately after cleaning, as some materials may otherwise be discolored and stained, and the surface coating may deteriorate.</p> <p>Warm Note: Do not use chlorine based, corrosive or abrasive cleaners as it may result in the surface being damaged.</p>	

Guangzhou SELAQUA Sanitary Ware Co., Ltd
Jintian Industrial Park, Huadong Town, Huadu District, Guangzhou City, Guangdong Province, China.
www.selaqua.com; www.aicubecare.com

Contact: Katie Peng
Sales Manager
M: +86 18620266308
E: katie@aicubecare.com



Shower Seat
Wall Mounted Flip-Up
Solid Metal Wall Fixing
INCL. Stainless Steel Screws and Universal Wall Plugs
Ergonomical Seat made of super **high quality nano-coated sylvestris pine wood** material
Wide-450mm, Depth-465mm (refer to above drawings)
Weight loading 150kgs certified.
Carton dimension: 59*51*13cm. Gross weight: 7.6kgs